

MODEL 500

REAR LOAD



Diamondback 3rd Man Tippers are engineered with fewer moving parts for longer life, easier maintenance, and to save you money on parts inventory.

Simple is Better.

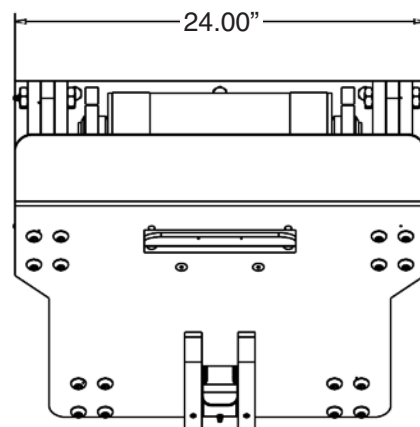
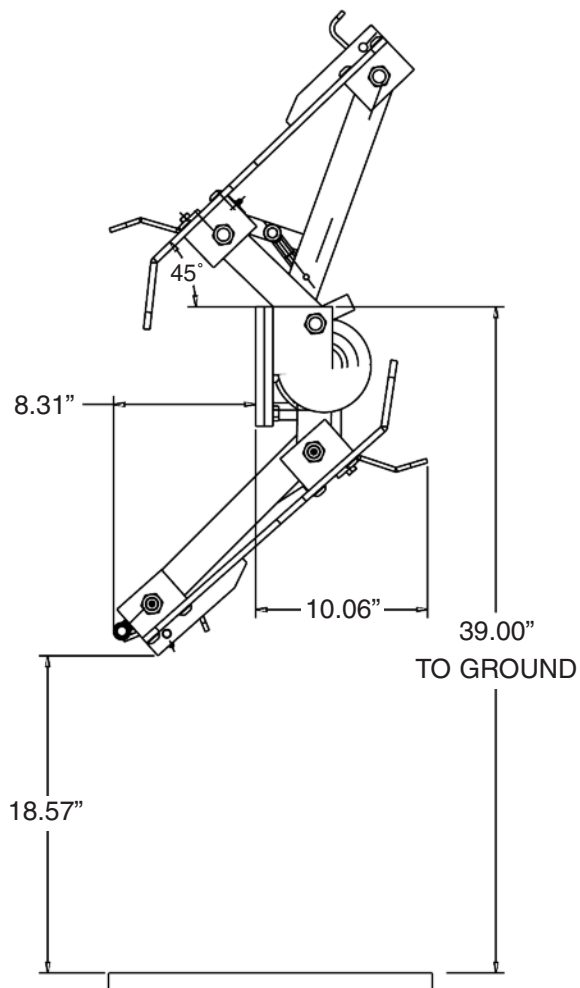
- **Eliminates Bottom Bar Cart Damage**
Patented spring bottom bar latching system virtually eliminates bottom bar damage by providing shock absorption during dump cycle and also ensures above ground release.
- **Easy cart engagement**
Sweeping action of cart lifter allows for easy cart engagement on uneven ground.
- **High/Deep dump**
Cart lifter gives a high/deep throw into hopper allowing for speed of emptying carts.
- **Ground Clearance**
Cart lifter rotates back under hopper allowing for the most possible ground clearance available.
- **Heavy duty lifting and drive arms**
3/4" solid steel lifting and drive arms
- **Self-Aligning Ball Bushings**
Made of hardened steel, shock and corrosion resistant, and require very low lubrication maintenance. All bushings are housed in "Air Craft" grade aluminum to help cut down on rust and corrosion for ease of repair.
- **26K Rotary Actuator**
The largest actuator used in the lifter industry. Actuator produces 26K ft/lb of torque at 3000 psi



888-313-1424 • www.diamondbackproducts.com



CLEARANCE AND DIMENSIONS



KEY FEATURES AND PERFORMANCE SPECS

- Fits all ANSI Z245.30 (domestic two bar style) Carts & meets all Z245.60 Cart Specifications
- Dumps 400 lbs @ 1600 psi
- 6-8 sec cycle time at 3.2 gpm
- 45 degree Dump angle
- Mounting height 37" to 41" (mounting plate included)
- Heat treated pivot pins
- 3/8" thick faceplate
- Powder coated finish
- Two year limited warranty