

# MODEL 600

# REAR LOAD



- **Kicker Bar Friendly**  
Slim design allows installation on most rear load trucks that utilize a kick/container bar for emptying commercial containers.
- **Eliminates Bottom Bar Cart Damage**  
Patented spring bottom bar latching system virtually eliminates bottom bar damage by providing shock absorption during dump cycle and also ensures above ground release.
- **Easy cart engagement**  
Sweeping action of cart lifter allows for easy cart engagement on uneven ground.
- **High/Deep dump**  
Cart lifter gives a high/deep throw into hopper allowing for speed of emptying carts.
- **Ground Clearance**  
Cart lifter rotates back under hopper allowing for the most possible ground clearance available.
- **Heavy duty lifting and drive arms**  
3/4" solid steel lifting and drive arms
- **Self-Aligning Ball Bushings**  
Made of hardened steel, shock and corrosion resistant, and require very low lubrication maintenance.
- **26K Rotary Actuator**  
Actuator shaft is designed with splined ends and matching collar, *not keyways*, to provide increased life. Actuator produces 26K ft/lb of torque at 3000 psi.

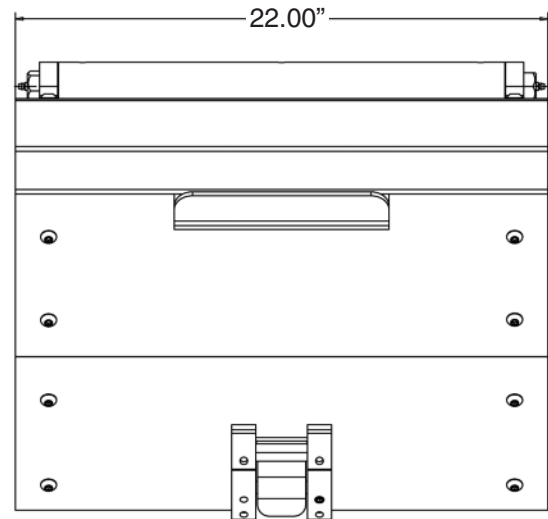
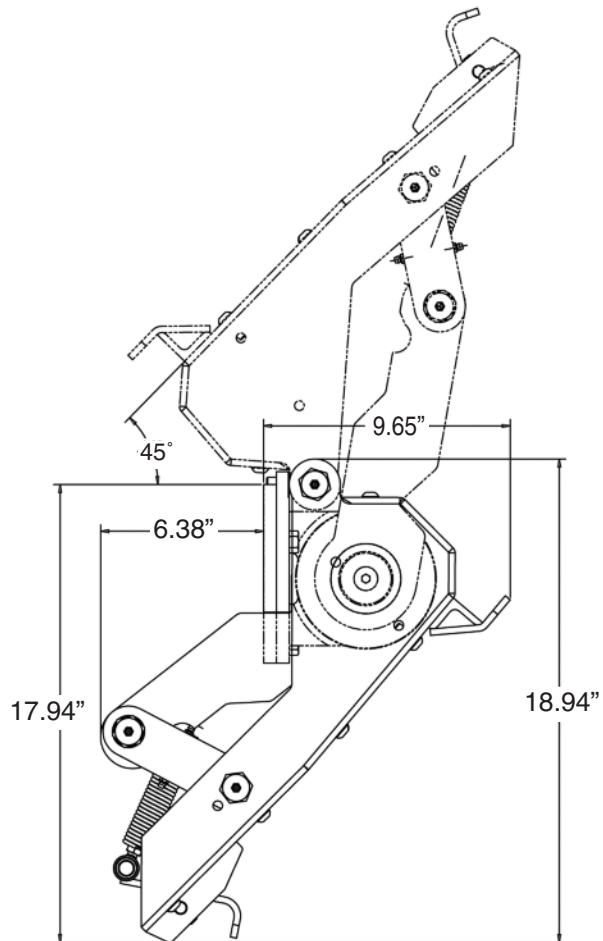
*Diamondback 3rd Man Tippers are engineered with fewer moving parts for longer life, easier maintenance, and to save you money on parts inventory.*

***Simple is Better.***



## CLEARANCE AND DIMENSIONS

---



### **KEY FEATURES AND PERFORMANCE SPECS**

---

- Fits all ANSI Z245.30 (domestic two bar style) Carts & meets all Z245.60 Cart Specifications
- Dumps 400 lbs @ 1600 psi
- 6-8 sec cycle time at 3.2 gpm
- 45 degree Dump angle
- Mounting height 37" to 41" (mounting plate included)
- Heat treated pivot pins
- 3/8" thick faceplate
- Powder coated finish
- Two year limited warranty